

**FEATURES**

- Optical design provides one-for-one replacement of metal halide and fluorescent high bays with substantial energy savings
- Three LED color choices and 84 CRI
- High efficacy LEDs provide up to 119 Lumens Per Watt
- Available in narrow or wide distribution
- Long-life, 60,000 hour LEDs at L80 (projected over 100,000 hours) for reduced life cycle maintenance costs
- Easy center driver cover allows tool-less access to electrical components for modular replaceability
- Extremely low profile—only 2" overall height
- Quick and simple hanging systems include chain, tong or aircraft cable mounting
- Access cover in channel for easy wiring access
- "Plug and play" occupancy sensor, daylight sensor, cord and plug
- Wire guard and/or lens option
- DesignLights Consortium® (DLC) qualified
- CSA listed and suitable for damp locations
- Up to 45°C ambient operation; see table provided for details
- 5 Year Warranty

**PROJECT INFORMATION**

Project Name \_\_\_\_\_

Type \_\_\_\_\_

Catalog No. \_\_\_\_\_

Date \_\_\_\_\_

**CONSTRUCTION**

Code gauge steel construction for durability to withstand shipping and job site handling. End caps include hemmed edges for ease of handling. Fixture provides easy access to electrical components via removal of channel cover. Tool-less access with one quarter-turn fastener. Oversized access plate conveniently mounted on back of channel for easy access to wiring compartment.

**REFLECTOR**

Narrow version features multi-faceted specular aluminum reflector for aisle lighting and areas where tighter lighting beam spread is desired. Wide distribution model provides maximum light distribution for open areas. Reflector removal is not required to gain access to electrical components.

**PERFORMANCE**

VersaBay® LED provides high efficacy, reduced input wattage compared to HID or fluorescent, and the excellent lighting quality needed for task visibility, material characteristic and color differentiation.

**FINISH**

All metal parts processed with a phase phosphate bonding treatment. Pre-painted with high gloss baked white enamel, 86% reflective. Polyester powder coat paint after fabrication (PAF) option available, reflectance 90%.

**SHIELDING**

Optional lens shielding is virgin acrylic or polycarbonate.

**MOUNTING**

Mounting options include aircraft cable, tong hanger, pipe hanger, or chain. Surface mount applicable in applications of 35°C and below (L and M packages). Tong hanger applicable in applications of 40°C without thru wire and 35°C with thru wire.

**CERTIFICATION**

All luminaires are built to UL1598 and 2108 standard, and bear appropriate CSA labels. Damp location labeling is standard. Emergency equipped fixtures built to UL942. Adheres to LM79, LM80 and TM21 industry standards. DesignLights Consortium® (DLC) qualified. Please refer to the DLC website for specific product qualifications at www.designlights.org.

**WARRANTY**

5 Year Warranty (Terms and Conditions apply).

**ORDERING INFORMATION**

**EXAMPLE LLHV4-50H-WST-EU**

<b>LLHV</b>	<b>4</b>	<b>-</b>	<b>-</b>	<b>ST</b>	<b>-</b>	<b>U</b>	<b>-</b>
<b>MODEL</b>	<b>COLOR TEMP</b>	<b>REFLECTOR</b>		<b>DRIVER</b>	<b>OPTIONS</b>		
LLHV VersaBay® LED High Bay	35 3500 40 4000 50 5000	<b>N</b> Narrow Distribution <b>W</b> Wide Distribution		<b>E</b> Fixed Output <b>ED</b> 0-10V Dimming	<b>C6TL15</b> 6' Cord and Twist-Lock™ Plug 15A (Add Voltage: 1=120, 2=277) <b>C6TL20</b> 6' Cord and Twist-Lock™ Plug 20A (Add Voltage 1=120, 2=277) <b>C6P151</b> 6' Cord and Straight Blade Plug 15A, 120V <b>CA</b> Clear Acrylic Lens <sup>1,2</sup> <b>CP</b> Clear Polycarbonate Lens <sup>1,2</sup> <b>SFA</b> Smooth Frosted Acrylic Lens <b>CAWG</b> Clear Acrylic Lens and Flat Wire Guard <sup>1,2</sup> <b>CPWG</b> Clear Polycarbonate Lens and Flat Wire Guard <sup>1,2</sup> <b>SFAWG</b> Smooth Frosted Acrylic Lens and Flat Wire Guard <b>SP</b> Side Panels Installed <sup>1,3</sup> <b>WG</b> Flat Wire Guard <sup>1</sup> <b>ELL14</b> Emergency Battery Pack, 1400 Lumens <sup>4</sup> <b>F4C5</b> 4-Conductor Cord <b>GLR</b> Fast Blow Fuse <b>OS1360</b> Factory Installed Occupancy/Daylight, Sensor, 1-relay, 360° lens 120/277 <b>OS2360</b> Factory Installed Occupancy/Daylight, Sensor, 2-relay, 360° lens 120/277 <b>OS1A</b> Factory Installed Occupancy/Daylight Sensor, 1-relay, Aisle lens, 120/277 <b>OS2A</b> Factory Installed Occupancy/Daylight Sensor, 2-relay, Aisle lens, 120/277 <b>ODS1360</b> Factory Installed Dimming Occupancy/Daylight Sensor, 1-relay, 360° lens 120/277 <b>ODS1A</b> Factory Installed Dimming Occupancy/Daylight Sensor, 1-relay, Aisle lens 120/277 <b>NYC</b> NYC Compliant <b>WIH</b> wiHUBB Enabled <sup>5,6</sup>		
<b>SIZE</b>	<b>LUMEN OUTPUT</b>	<b>UPLIGHT</b>		<b>VOLTAGE</b>			
4 4'	<b>L</b> Low Watt <b>M</b> Medium Lumen <b>H</b> High Lumen	<b>ST</b> Solid Top (no uplight)		<b>U</b> 120V-277V <b>347</b> 347V <b>480</b> 480V			

**ACCESSORIES (ORDER SEPARATELY)**

**PRODUCT AVAILABILITY**

<b>LHVTH</b> Tong Hanger (Pair) <sup>7</sup>	<b>LHVWG4-4</b> Wireguard, White	<b>LHVQMS</b> Aircraft Cable, 5' (Pair)	<b>LHVQM10</b> Aircraft Cable, 10' (Pair)	<b>LHVSPMS</b> Single Point Mounting, Includes Pair of 5' Aircraft Cables	<b>LHVSP</b> Side Panels (Pair)	<b>LHVOS1360</b> Occupancy/Daylight Sensor, with a 360° lens, 120/277/347V	<b>LHVOS2360</b> Occupancy/Daylight Sensor, with a 360° lens, 120/277/347V	<b>C6TL15-120</b> Cord and Plug Kit (white), 6 ft., Twist Lock NEMA L5-15P, 15 amp, 120V	<b>C6TL15-277</b> Cord and Plug Kit (white), 6 ft., Twist Lock NEMA L7-15P, 15 amp, 277V	<b>C6P15-120</b> Cord and Plug Kit (white), 6 ft., Straight Blade NEMA 5-15P, 15 amp, 120V
--	----------------------------------	---	---	---	---------------------------------	--	--	--	--	--

LUMEN PACKAGE	NOMINAL LUMENS (35K)	NOMINAL WATTS
L	12,000	109
M	18,000	155
H	24,000	236

Actual lumens will vary according to color temperature and other factors. For exact lumens and watts see specific photometric test(s).

<sup>1</sup> Side panels increase height to 27".  
<sup>2</sup> Lens reduces max ambient operating temperature to 40°C; if combined with ELL14 max is 30°C.  
<sup>3</sup> Side panels only; does not include lens or wire guard options.  
<sup>4</sup> ELL14 reduces max ambient temperature to 40°C. If combined with lens max is 30°C.  
<sup>5</sup> In-Fixture Module Antenna adds 2" to overall fixture height at specific location.  
<sup>6</sup> Not compatible if surface mounting.  
<sup>7</sup> Tong Hanger reduces max ambient temperature to 40°C without thru wire and 35°C with thru wire.



## PHOTOMETRIC DATA

Test #8065 Test Date 11/07/13

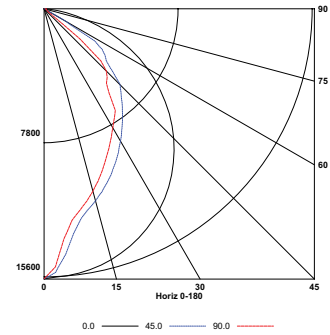
### LUMINAIRE DATA

Luminaire	LLHV4-50H-NST-EDU LLHV VersaBay LED High Bay, Industrial 16" x 48" LED with specular reflector
Ballast	(3) PLED96W-046-C2100-D
Ballast Factor	1.00
Lamp	LED
Fixture Lumens	25,556
Watts	236.10
Mounting	Surface
Shielding Angle	0° = 90 90° = 90
Spacing Criterion	0° = 1.27 90° = 0.78
Luminous Opening in Feet	Length: 4.00 Width: 1.31 Height: 0.00

### ENERGY DATA

Total Luminaire Efficiency	100.0%
Total Lumens per Watt	108
ANSI/IESNA RP-1-2004 Compliance	Noncompliant
Comparative Yearly Lighting Energy Cost per 1000 Lumens	\$2.22 based on 3000 hrs. and \$0.08 per KWH

### INDOOR CANDELA PLOT



Test #8064 Test Date 11/07/13

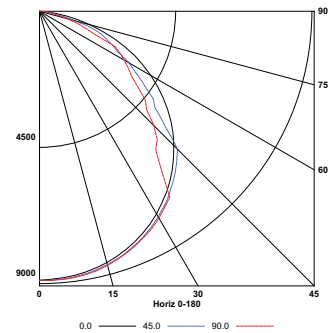
### LUMINAIRE DATA

Luminaire	LLHV4-50H-WST-EDU LLHV VersaBay LED High Bay, Industrial 16" x 48" LED with gloss white reflector
Ballast	(3) PLED96W-046-C2100-D
Ballast Factor	1.00
Lamp	LED
Fixture Lumens	24,763
Watts	236.10
Mounting	Surface
Shielding Angle	0° = 90 90° = 90
Spacing Criterion	0° = 1.29 90° = 1.31
Luminous Opening in Feet	Length: 4.00 Width: 1.31 Height: 0.00

### ENERGY DATA

Total Luminaire Efficiency	100.0%
Total Lumens per Watt	105
ANSI/IESNA RP-1-2004 Compliance	Noncompliant
Comparative Yearly Lighting Energy Cost per 1000 Lumens	\$2.29 based on 3000 hrs. and \$0.08 per KWH

### INDOOR CANDELA PLOT



Test #7833 Test Date 10/08/13

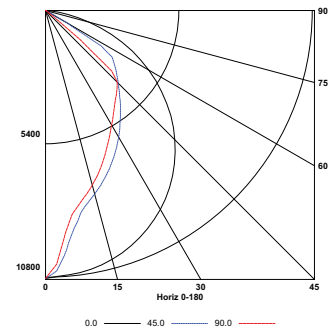
### LUMINAIRE DATA

Luminaire	LLHV4-50M-NST-EDU LLHV VersaBay LED High Bay, Industrial 16" x 48" LED with specular reflector
Ballast	(2) PLED75W-036-C2100-D
Ballast Factor	1.00
Lamp	LED
Fixture Lumens	17,466
Watts	155.10
Mounting	Surface
Shielding Angle	0° = 90 90° = 90
Spacing Criterion	0° = 1.27 90° = 0.74
Luminous Opening in Feet	Length: 4.00 Width: 1.42 Height: 0.00

### ENERGY DATA

Total Luminaire Efficiency	100.0%
Total Lumens per Watt	113
ANSI/IESNA RP-1-2004 Compliance	Noncompliant
Comparative Yearly Lighting Energy Cost per 1000 Lumens	\$2.12 based on 3000 hrs. and \$0.08 per KWH

### INDOOR CANDELA PLOT



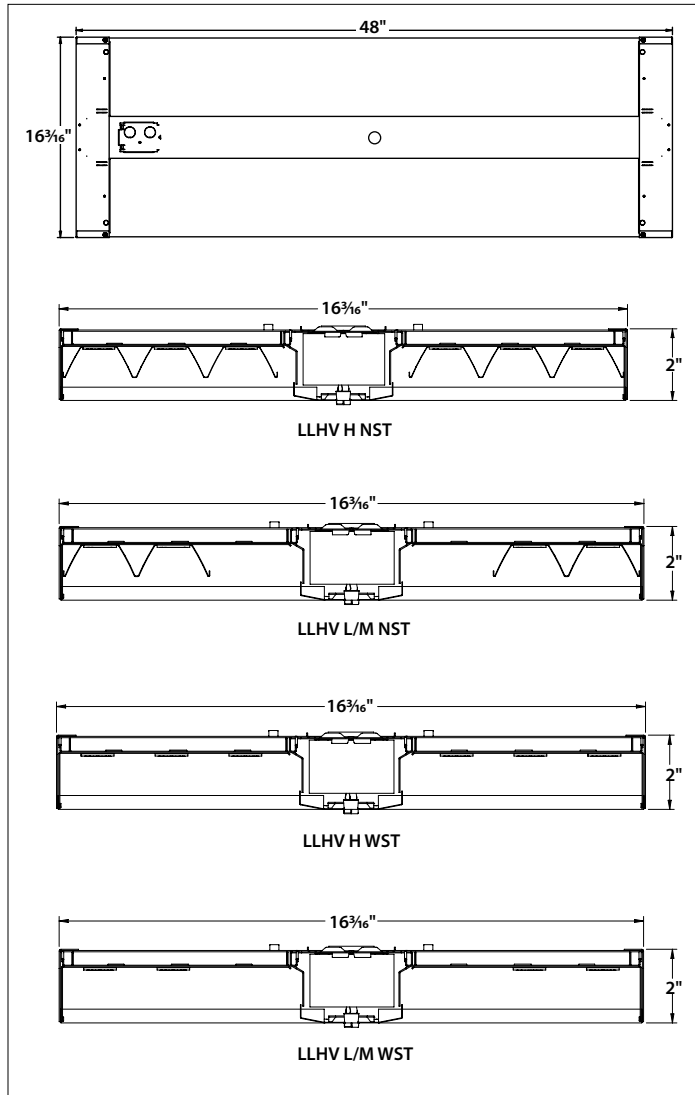
PRODUCT	DIST.	LUMENS	WATTS	LPW	TYPICALLY REPLACES
LLHV4-50L-NST-EDU	Narrow	12,967	109.0	119	150W - 250W Metal Halide, 2T5 HO, 4T8
LLHV4-40L-NST-EDU	Narrow	12,762	109.7	116	
LLHV4-35L-NST-EDU	Narrow	11,400	109.1	104	
LLHV4-50L-WST-EDU	Wide	12,505	109.0	115	
LLHV4-40L-WST-EDU	Wide	12,388	109.8	113	
LLHV4-35L-WST-EDU	Wide	11,689	109.2	107	250W - 400W Metal Halide, 4T5 HO, 6T8
LLHV4-50M-NST-EDU	Narrow	17,466	155.1	113	
LLHV4-40M-NST-EDU	Narrow	17,140	155.9	110	
LLHV4-35M-NST-EDU	Narrow	16,057	154.8	104	
LLHV4-50M-WST-EDU	Wide	16,520	153.0	108	
LLHV4-40M-WST-EDU	Wide	16,687	155.9	107	
LLHV4-35M-WST-EDU	Wide	15,506	154.8	100	

Replacement information provided for general purposes only. Each application should be evaluated with lighting calculation software to confirm light levels. LLHV photometry is available at [www.columbialighting.com](http://www.columbialighting.com)

PRODUCT	DIST.	LUMENS	WATTS	LPW	TYPICALLY REPLACES
LLHV4-50H-NST-EDU	Narrow	25,556	236.1	108	400W Metal Halide, 6T5 HO, 8T8
LLHV4-40H-NST-EDU	Narrow	24,974	237.2	105	
LLHV4-35H-NST-EDU	Narrow	23,363	236.4	99	
LLHV4-50H-WST-EDU	Wide	24,763	236.1	105	
LLHV4-40H-WST-EDU	Wide	23,901	237.2	101	
LLHV4-35H-WST-EDU	Wide	22,544	236.2	95	

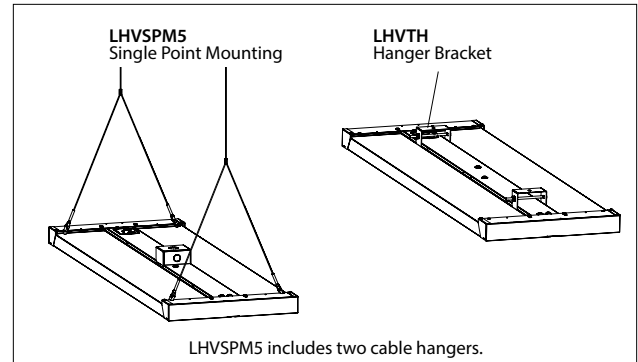
Replacement information provided for general purposes only. Each application should be evaluated with lighting calculation software to confirm light levels. LLHV photometry is available at [www.columbialighting.com](http://www.columbialighting.com)

**DIMENSIONAL DATA**

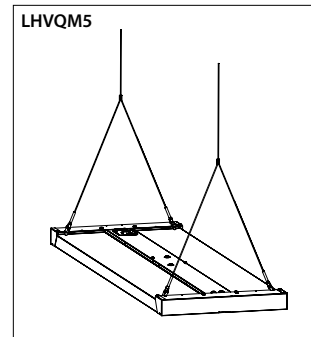


**NOTE:** All dimensions are in inches; dimensions and specifications are subject to change without notice. Please consult factory or check sample for verification.

**OPTIONAL HANGER BRACKETS**



**AIRCRAFT CABLE MOUNTING**



Additional mounting details available at [www.columbialighting.com](http://www.columbialighting.com)

MAX. AMBIENT OPERATING TEMP.			
NO LENS		LENS	
No ELL14	ELL14	No ELL14	ELL14
45°C	40°C	40°C	30°C

ELL14: Factory installed emergency battery pack, 1400 lumens

CALCULATED HOURS	LLHV PREDICTED LIFE			LUMEN MAINTENANCE	
	LUMEN PACKAGE	NOMINAL LUMENS	AMBIENT OPERATING TEMPERATURE	L80	L70
		L	12,000	25°C	94,000
45°C				81,000	132,000
M		18,000	25°C	60,000	97,000
			45°C	56,000	90,000
H		24,000	25°C	60,000	97,000
			45°C	56,000	90,000

Based on TM-21 calculated life.