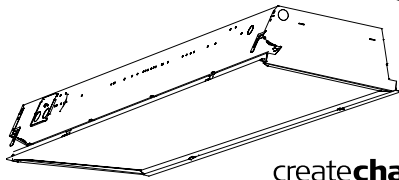


**LED**



createchange

**FEATURES**

- Full distribution LED troffer
- Direct replacement of fluorescent 1x4
- Long-life, 60,000 hour LEDs at L80 reduce life cycle maintenance costs
- Four LED color choices and 80 CRI
- Many shielding choices
- Two door frame choices
- Metal to metal light leak protection on all four sides of shielding frame
- Fixed output, step dimming (high/low/off), or 0-10V dimming drivers available
- Hinged optical system allows easy access to LED modules and electrical from below the ceiling
- All models standard with IC rating
- DesignLights Consortium® (DLC) qualified
- Five year warranty

**PROJECT INFORMATION**

Project Name \_\_\_\_\_

Type \_\_\_\_\_

Catalog No. \_\_\_\_\_

Date \_\_\_\_\_

**CONSTRUCTION**

Luminaire housing and end caps are die-formed code-gauge cold-rolled steel. Optical system hinges from either side for easy access to LED module and electrical components.

**CEILING COMPATIBILITY**

Designed for recessed installation in standard inverted tee grid ceilings (G). Four integral T-bar clips standard. Also available for recessed installation in hard ceilings (G with FK accessory), surface mount at ceiling plane (SM), or cable mount suspension below ceiling plane (CM). For compatibility with specific ceilings contact your Hubbell Lighting representative.

**FINISH**

All metal parts processed with a multi-stage phosphate bonding treatment and finished with a high reflectance baked white enamel.

**SHIELDING**

Lens is high transmission pattern #12 acrylic (A12) for light diffusion without compromise to light output. Other shielding may be specified. If desired shielding media is not shown in ordering guide, contact your local Hubbell Lighting representative.

**CERTIFICATION**

All luminaires are built to UL 1598 and 2108 standards, and bear appropriate CSA labels. Damp location labeling is standard. Emergency equipped fixtures labeled UL924. Adheres to LM79, LM80 and TM21 industry standards. IC rating is standard on all models. DesignLights Consortium® (DLC) qualified. Please refer to the DLC website for specific product qualifications at [www.designlights.org](http://www.designlights.org).

**INSTALLATION**

An access plate is furnished with each recessed fixture for fast wiring connections without the necessity to open the fixture or wireway.

**WARRANTY**

Five year warranty. (Terms and Conditions Apply)

**ORDERING INFORMATION**

**EXAMPLE LJT14-35MLG-FSA12-EU**

LJT 14 -			U -			
MODEL	COLOR TEMP	CEILING TYPE	SHIELDING	DRIVER	VOLTAGE	OPTIONS
LJT LED Lensed Troffer	30 3000K 35 3500K 40 4000K 50 5000K	G Grid <sup>1</sup> SM Surface Mount CM Cable Mount <sup>2</sup>	A12 Pattern 12 Acrylic Lens A12125 Pattern 12 Acrylic Lens, 0.125" Nominal A12F Pattern 12 Frosted Acrylic Lens A12125F Pattern 12 Frosted Acrylic Lens, 0.125" Nominal A19 Pattern 19 Acrylic Lens, 0.156" Nominal A19F Pattern 19 Frosted Acrylic Lens 0.156"	E Fixed Output ESD Step Dimming ED 0-10V Dimming	U 120V-277V	C388 3-Wire Flex C488 4-Wire Flex C588 5-Wire Flex ELL14 Emergency Battery Pack Installed, 1400 Lumens <sup>3,4</sup> GLR Fast Blow Fuse G1 Single Gasketing (Door to Housing) G2 Double Gasketing (G1 and Lens to Door) G3 Triple Gasketing (G2 and Housing to Ceiling) CP Chicago Plenum GTD Not Available
SIZE	LUMEN OUTPUT	DOOR				
14 1' x 4'	LW Low Watt ML Medium Lumen HL High Lumen VL Very High Lumen	FS White Flush Steel FA White Flush Aluminum				

See Product Availability Table Below

PRODUCT AVAILABILITY				
SIZE	OUTPUT	NOMINAL LUMENS	WATTS	BEST EFFICACY
14	LW	2,485-2,605	26	97-102
	ML	3,605-3,860	39	92-98
	HL	4,430-4,755	51	88-94
	VL	4,920-5,350	55	91-97

Lumens will vary according to color temperatures and other factors. See specific photometric test(s).

<sup>1</sup> For hard ceilings use flange kit accessory.  
<sup>2</sup> Order hanger accessories separately.  
<sup>3</sup> For compatibility with Dual-Lite LiteGear® inverters in lieu of installed battery pack, contact Hubbell Lighting Representative.  
<sup>4</sup> Not available with Surface Mount.  
 Damp label—standard.  
 IC rating—standard.

**ACCESSORIES (ORDER SEPARATELY)**

- FK14 1' x 4' Single Flange Kit
- CM48Y1SC3F-KIT 48" Cable Mount Kit for 1' wide Cable Mount Fixtures, 3-Wire

## PHOTOMETRIC DATA

Test 15.00231 Test Date 02/06/2015

### LUMINAIRE DATA

Luminaire	LJT14-40LW-XXA12-EDU LJT LED, Lensed Troffer 1 x 4 led with A12 pattern acrylic prism lens
Ballast	D700C30UNVTZC
Ballast Factor	1.00
Lamp	LED
Fixture Lumens	2606
Watts	25.50
Mounting	Recessed
Shielding Angle	0° = 90 90° = 90
Spacing Criterion	0° = 1.23 90° = 1.13
Luminous Opening in feet	Length: 3.81 Width: 0.83 Height: 0.00

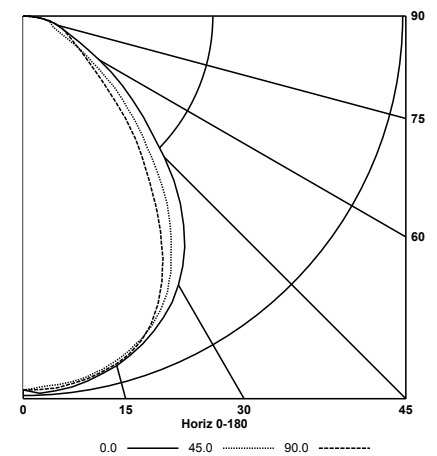
### ENERGY DATA

Total Luminaire Efficiency	100.0%
Total Lumens per Watt	102
ANSI/IESNA RP-1-2004 Compliance	YES-VDT NORMAL USE
Comparative Yearly Lighting Energy Cost per 1000 Lumens	\$2.40 based on 3000 hrs. and \$0.08 per KWH

### ZONAL LUMEN SUMMARY

Zone	Lumens	%Lamp	%Fixt.
0-30	978	37.5	37.5
0-40	1523	58.4	58.4
0-60	2272	87.2	87.2
0-90	2606	100.0	100.0
0-180	2606	100.0	100.0

### INDOOR CANDELA PLOT



Test 15.00191 Test Date 02/02/2015

### LUMINAIRE DATA

Luminaire	LJT14-40ML-XXA12-EDU LJT LED, Lensed Troffer 1 x 4 led with A12 pattern acrylic prism lens
Ballast	D10C55UNVTC
Ballast Factor	1.00
Lamp	LED
Fixture Lumens	3860
Watts	39.40
Mounting	Recessed
Shielding Angle	0° = 90 90° = 90
Spacing Criterion	0° = 1.23 90° = 1.13
Luminous Opening in feet	Length: 3.81 Width: 0.83 Height: 0.00

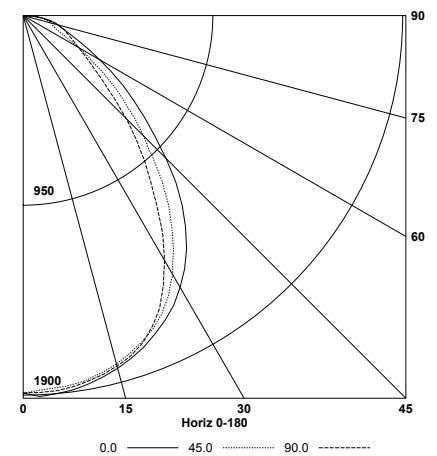
### ENERGY DATA

Total Luminaire Efficiency	100.0%
Total Lumens per Watt	98
ANSI/IESNA RP-1-2004 Compliance	Noncompliant
Comparative Yearly Lighting Energy Cost per 1000 Lumens	\$2.42 based on 3000 hrs. and \$0.08 per KWH

### ZONAL LUMEN SUMMARY

Zone	Lumens	%Lamp	%Fixt.
0-30	1445	37.4	37.4
0-40	2253	58.4	58.4
0-60	3365	87.2	87.2
0-90	3860	100.0	100.0
0-180	3860	100.0	100.0

### INDOOR CANDELA PLOT



Test 15.00192 Test Date 05/14/2014

### LUMINAIRE DATA

Luminaire	LJT14-40HL-XXA12-EDU LJT LED, Lensed Troffer x 4 led with A12 pattern acrylic prism lens
Ballast	D15C55UNVTC
Ballast Factor	1.00
Lamp	LED
Fixture Lumens	4755
Watts	50.50
Mounting	Recessed
Shielding Angle	0° = 90 90° = 90
Spacing Criterion	0° = 1.23 90° = 1.13
Luminous Opening in feet	Length: 3.81 Width: 0.83 Height: 0.00

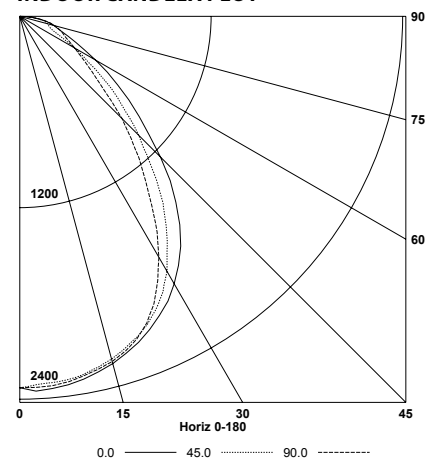
### ENERGY DATA

Total Luminaire Efficiency	100.0%
Total Lumens per Watt	94
ANSI/IESNA RP-1-2004 Compliance	Noncompliant
Comparative Yearly Lighting Energy Cost per 1000 Lumens	\$2.53 based on 3000 hrs. and \$0.08 per KWH

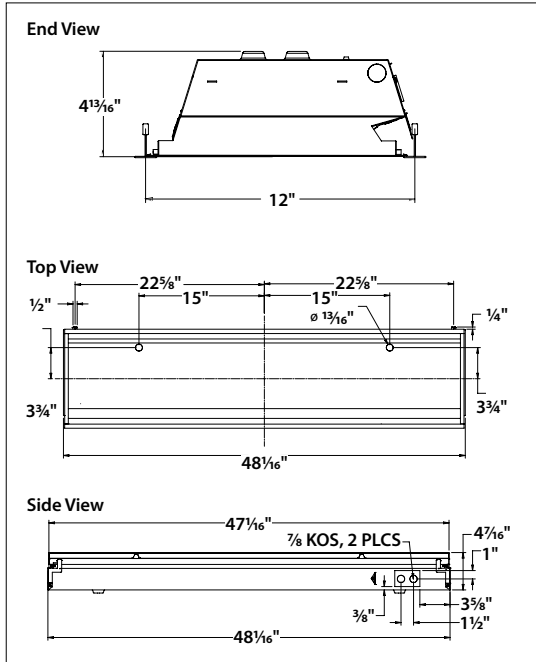
### ZONAL LUMEN SUMMARY

Zone	Lumens	%Lamp	%Fixt.
0-30	1780	37.4	37.4
0-40	2775	58.4	58.4
0-60	4145	87.2	87.2
0-90	4755	100.0	100.0
0-180	4755	100.0	100.0

### INDOOR CANDELA PLOT



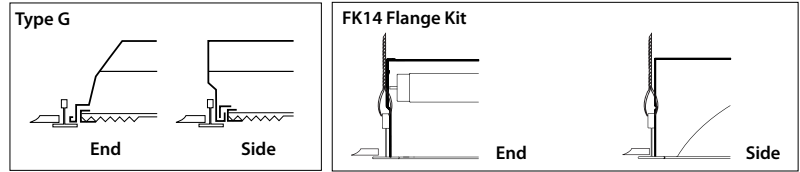
### DIMENSIONAL DATA



A: 7/8" Diameter knockout  
 K: 2" x 3" through hole for access plate.

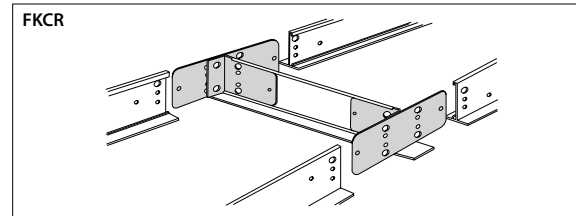
**NOTE:** All dimensions are in inches; dimensions and specifications are subject to change without notice. Please consult factory or check sample for verification.

### CEILING COMPATIBILITY



For lay-in installation in exposed grid ceilings. Maximum tee widths of 1" and maximum tee heights of 2" allowed.

For hard ceiling applications, order FK14 flange kit. Flange kit wires directly into concealed ceiling opening for a clean, finished appearance.

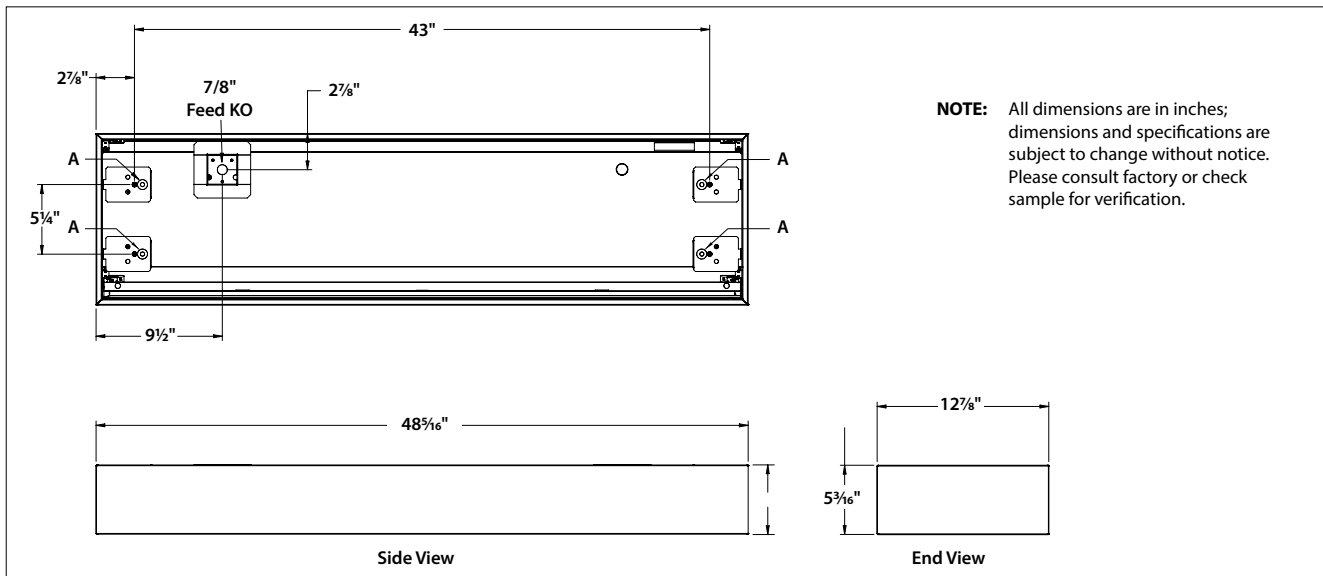


For flanged fixtures in row configurations, the FKCR adapter bracket kit is required in addition to the FK14 kit. Order one less FKCR than the total number of fixtures in row. (Example: Row of two, order (2) FK14 & (1) FKCR)

Row cut out dimensions using FK14s & FKCR adapters:  
 Width 12 3/8", Length [48" x (# in row)] + 3/8". Example: (48" x 2) + 3/8" = 96 3/8"

Flange kit rough in dimensions for single unit only: 12 3/8" x 48 3/8"

### DIMENSIONAL DATA - SURFACE MOUNT (SM) AND CABLE MOUNT (CM)



**NOTE:** All dimensions are in inches; dimensions and specifications are subject to change without notice. Please consult factory or check sample for verification.

#### SURFACE MOUNT

Order SM ceiling type. Mounting collar required for surface mounting. (4) Mounting knock-outs, 1/4" to 1/2" provided as shown, marked "A".

#### CABLE MOUNT

Order CM ceiling type. Access plate supplied for cable mounting or suspension. Use CM48Y1 C3F-KIT 48" cable mount kit. Includes 3 wire feed cord. For other wiring needs, contact Hubbell Lighting representative. Mounting knock-outs, 1/4" to 1/2", provided as shown, marked "A".