

APPLICATION & PERFORMANCE SPECIFICATION

B432I347EL-A	
Description:	High frequency electronic ballast
Primary lamp application:	4xF32T8
Secondary lamp applications:	3xF32T8, 4/3xF32T8ES-30W, 4/3xF28T8, 4/3xF32T8ES-25W, 4/3xF25T8, 4/3xF25T8ES-22W, 4/3xF17T8, 4/3xF15T8, 3xF40T8, equivalent u-bend



Features	
<ul style="list-style-type: none"> • Line voltage: 347 VAC ± 10%, 50/60Hz • Parallel Lamp Operation 	<ul style="list-style-type: none"> • Instant Start • Low Ballast Factor

Performance									
Lamp		Volts:	Input Watts:	Nominal Line Amps	Power Factor	Ballast Factor	Ballast Efficacy Factor	Harmonic Total	Crest Factor
Type	Qty								
F32T8	4	347	101	0.28	> 0.98	0.78	0.77	< 10%	<1.7
F32T8	3	347	83	0.23	> 0.98	0.87	1.05	< 10%	<1.7
F32T8ES (30W)	4	347	92	0.26	> 0.98	0.78	0.85	< 10%	<1.7
F32T8ES (30W)	3	347	75	0.22	> 0.98	0.87	1.16	< 10%	<1.7
F28T8	4	347	87	0.24	> 0.98	0.78	0.90	< 10%	<1.7
F28T8	3	347	70	0.20	> 0.98	0.87	1.24	< 10%	<1.7
F32T8ES (25W)	4	347	79	0.23	> 0.98	0.78	0.99	< 10%	<1.7
F32T8ES (25W)	3	347	67	0.19	> 0.98	0.87	1.30	< 10%	<1.7
F25T8	4	347	79	0.23	> 0.98	0.78	0.99	< 10%	<1.7
F25T8	3	347	67	0.19	> 0.98	0.87	1.30	< 10%	<1.7
F25T8ES (22W)	4	347	67	0.19	> 0.98	0.81	1.21	< 10%	<1.7
F25T8ES (22W)	3	347	57	0.16	> 0.98	0.89	1.56	< 10%	<1.7
F17T8	4	347	56	0.16	> 0.98	0.83	1.48	< 10%	<1.7
F17T8	3	347	46	0.13	> 0.98	0.90	1.96	< 12%	<1.7
F15T8	4	347	45	0.13	> 0.98	0.84	1.87	< 10%	<1.7
F15T8	3	347	38	0.11	> 0.95	0.91	2.39	< 15%	<1.7
F40T8	3	347	99	0.28	> 0.98	0.80	0.81	< 10%	<1.7

Application and performance specification information subject to change without notification.

B432I347EL-A

Standards, Listings and Compliance

- | | | |
|---|--|--|
| <ul style="list-style-type: none"> • cUL_{US} Listed • Class P, Type 1 Outdoor, Type HL • FCC CFR 47 Part 18 for EMI and RFI non-consumer limits | <ul style="list-style-type: none"> • ANSI Standard C82.11 • ANSI Standard C62.41 • Sound Rated: Class A | <ul style="list-style-type: none"> • Contains no PCB's • Antistriation Circuitry • RoHS Compliant |
|---|--|--|

Application

- Minimum starting temperature: 0°F/-18°C
- Energy Saving Lamps: 60°F/16°C
- Maximum case temperature at t_c: 194°F/90°C
- Remote mounting: 18' with full wattage lamps, 6' max with ES lamps

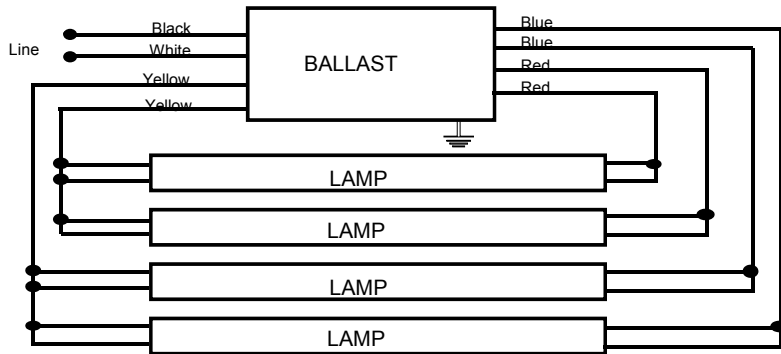
Dimensions

- Overall length: 9.5"
- Overall width: 1.7"
- Overall height: 1.18"
- Mounting Length: 8.9"
- Weight: 1.7-lb

Leads (± 1")

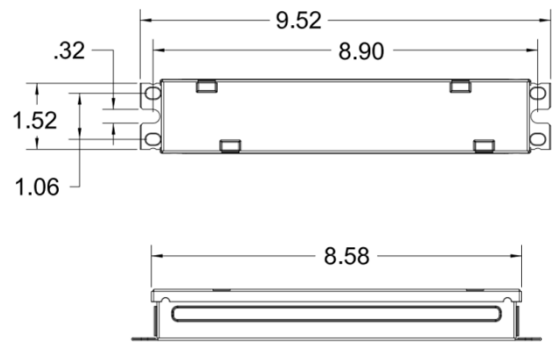
- | | |
|----------------|-------------|
| | <u>010C</u> |
| • Black, White | 25" |
| • Red | 31" |
| • Blue | 31" |
| • Yellow | 39" |

Connections



For three lamp application, cap any blue lead, insulate to 600 volts

Dimensions (inches)



Note: Nominal dimensions provided above
Contact Universal for drawings and/or tolerances

Ballast must be grounded – a star washer or other paint penetrating device is required
Ballast must be installed in accordance with national and local electrical codes
Manufactured in China

WARRANTY

Universal Lighting Technologies warrants to the purchaser that each electronic ballast will be free from defects in material or workmanship for a period of (5) years from date of manufacture when properly installed and under normal conditions of use at a maximum case temperature of 75°C, or for a period of (3) years from date of manufacture when operated at a maximum case temperature of 90°C.
Call 1-800-BALLASTx800 for technical assistance.