

APPLICATION and PERFORMANCE SPECIFICATION

Description: High frequency electronic ballast for (4/3) F32T8, (4/3) F32T8ES-30W, (4/3) F32T8ES-25W, (4/3) F28T8, (3) F40T8, (4) F25T8, and (4) F17T8. Also equivalent U-shaped lamps.

- Line Voltage: 108vac - 305vac, 50/60Hz
- Instant Start
- Parallel Lamp Operation

Lamp		Volts	Input Watts	Nominal Line Amps	Power Factor	Ballast Factor	Ballast Efficacy Factor	Harmonic Total	Crest Factor
Type	#								
F32T8	4	120	97	0.80	> .99	.77	0.79	< 10%	< 1.7
F32T8	4	277	96	0.34	> .98	.77	0.80	< 10%	< 1.7
F32T8ES (30W)	4	120	91	0.75	> .99	.77	0.85	< 10%	< 1.7
F32T8ES (30W)	4	277	90	0.32	> .98	.77	0.86	< 10%	< 1.7
F28T8	4	120	85	0.70	> .99	.77	0.91	< 10%	< 1.7
F28T8	4	277	84	0.31	> .98	.77	0.92	< 10%	< 1.7
F32T8ES (25W)	4	120	75	0.62	>.99	.82	1.09	< 10%	< 1.7
F32T8ES (25W)	4	277	73	0.27	>.95	.82	1.12	< 10%	< 1.7
F32T8	3	120	80	0.67	> .99	.86	1.08	< 10%	< 1.7
F32T8	3	277	78	0.29	> .98	.86	1.10	< 10%	< 1.7
F32T8ES (30W)	3	120	75	0.62	> .99	.86	1.15	< 10%	< 1.7
F32T8ES (30W)	3	277	73	0.27	> .98	.86	1.18	< 10%	< 1.7
F28T8	3	120	69	0.57	> .99	.86	1.25	< 10%	< 1.7
F28T8	3	277	68	0.26	> .95	.86	1.26	< 10%	< 1.7
F32T8ES (25W)	3	120	60	0.50	>.99	.86	1.43	< 10%	< 1.7
F32T8ES (25W)	3	277	58	0.22	>.94	.86	1.48	< 10%	< 1.7
F40T8	3	120	97	0.81	> .99	.86	0.89	< 10%	< 1.7
F40T8	3	277	94	0.35	> .98	.86	0.91	< 10%	< 1.7
F25T8	4	120	78	0.65	> .98	.78	1.00	< 10%	< 1.7
F25T8	4	277	76	0.28	> .98	.78	1.03	< 10%	< 1.7
F17T8	4	120	53	0.44	> .98	.79	1.49	< 10%	< 1.7
F17T8	4	277	52	0.20	> .95	.79	1.52	< 10%	< 1.7

Application and Performance Specification Information Subject to Change without Notification.

Performance:

- Meets ANSI Standard C82.11-2011
- Meets ANSI Standard C62.41-2002
- Meets FCC Part 18 (Class A) for EMI and RFI Non-Consumer Limits
- Anti-striation circuitry

Safety:

- No PCB's
- cUL_{US} listed (Class P, Type 1 Outdoor, Type HL)

Application:

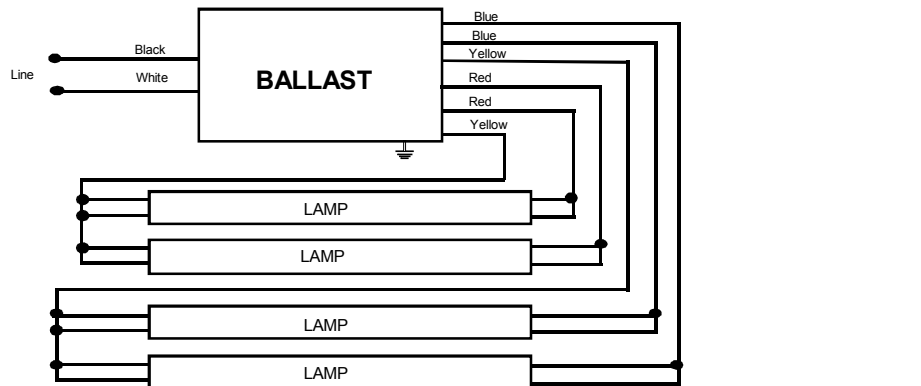
- Minimum Starting Temperature: 0°F, -18° C
For ES & 28W Lamps: 60° F, 16° C
- Maximum Ambient Temperature: 105° F, 40° C
- Sound Rated: A
- Remote Mounting: 20 ft. max, 18 AWG
For ES Lamps: 6 ft. max, 18AWG

Physical Parameters:

- Length: 9.50"
- Width: 1.70"
- Height: 1.18"
- Weight: 1.7 lbs.
- Lead Length: 010C, 000T, 00LI 000I
- Wht, Blck 25" (± 1") 12" (± 1")
- Red, Blue 31" (± 1") 12" (± 1")
- Yellow 40" (± 1") 21" (± 1")

Warranty:

Universal Lighting Technologies warrants to the purchaser that each electronic ballast will be free from defects in material or workmanship for a period of 5 years from date of manufacture when properly installed and under normal conditions of use. Call **1-800-BALLASTx800** for technical assistance.



Note: For three lamp operation, cap any blue lead, insulate to 600 volts

Manufactured in North America

Ballast Must be Grounded