

# CIMARRON SERIES

Cat.#

Job

Type



Approvals

### APPLICATIONS

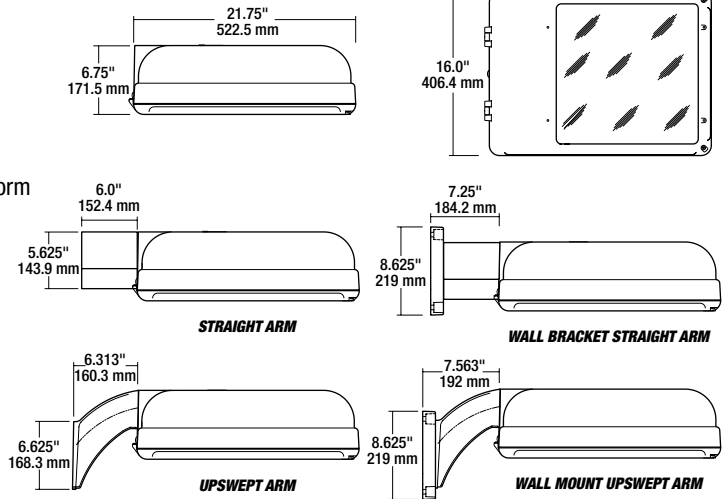
- Area and site lighting.

### FEATURES

- Complements 'Southwest Series'
- IES Type II, III, V (square) and forward throw light distributions
- Flat lens design
- 100w to 400w lamps in HPS, and Pulse Start MH for design flexibility
- All distributions are field-rotatable
- Mounts on upswept, straight arms for poles or on wall bracket for a uniform project look
- 5 standard, 2 premium, and custom colors are available

### LISTINGS/CERTIFICATIONS

- Title 20 compliant
- UL 1598 listed and CSA certified for outdoor use in wet locations
- U.S. Patent No. D556,935
- IDA fixture seal of approval **EPA = 1.2 ft<sup>2</sup>** (single unit with arm)



### ORDERING INFORMATION

**SELECT UNITS ARE STOCKED FOR IMMEDIATE SHIPMENT.**

ORDERING EXAMPLE: CR1-A-P40-H3P-F-Q-DB-L

SERIES	SOURCE/WATTAGE	LAMP ORIENT./DISTR.	LENS	COLOR	OPTIONS
CR1 Cimarron	<b>PULSE START METAL HALIDE</b> P10 100w (ED-17 Med base) P12 125w (ED-17 Med base) P15 150w (ED-28 Mog base) P17 175w (ED-28 Mog base) P20 200w (T-15 Mog base) P25 250w (ED-28 Mog base) P32 320w (ED-28 Mog base) P35 350w (ED- Mog base) P40 400w (ED-28 Mog base)	H2 Horiz. II - hydroformed H3 Horiz. III - hydroformed H3P Horiz. III - High Performance Series (segmented) H4 Horiz. IV - multi-piece H4P Horiz. IV - High Performance Series (segmented) H5 Horiz. V (square) - hydroformed H5P Horiz. V - High Performance Series (segmented)	F Flat	DB Dark Bronze BL Black WH White GR Gray PS Platinum Silver RD Red (premium color) FG Forest Green (premium color) CC Custom Color (consult factory)	WBAD Substitutes decorative upswept arm when WB wall bracket mounting is chosen RPA2 Round pole adapter (2 3/4-3 1/8") RPA3 Round pole adapter (3 1/4-3 3/4") RPA4 Round pole adapter (3 7/8-4 1/2") RPA5 Round pole adapter (5") RPA6 Round pole adapter (6") F(X) Fusing (replace X with voltage: 1-120, 2-208, 3-240, 4-277, 5-480, 6-347) P(X) Photo button (replace X with voltage: 1-120, 2-208, 3-240, 4-277, 6-347) PR(X) Photo cell receptacle (replace X with voltage: 1-120, 2-208, 3-240, 4-277, 5-480, 6-347) QZ Quartz RS with lamp HS Internal house side shield (available for H2, H3 & H4 distributions) VG Polycarbonate vandal guard L Lamp
<b>VOLTAGE</b>					
Q <sup>1</sup> Quad-Tap® 120/208/240/277V V <sup>1</sup> Five-Tap 120/208/240/277/480V (250 & 400w PSMH & HPS only) 5 480V T <sup>1</sup> Tri-Tap® 120/277/347V E 50Hz, 220/240V (250 & 400w PSMH & HPS only) 0 No Ballast					
<b>MOUNTING</b> A Arm mount construction (6" straight rigid arm included & acceptable for 90° configurations) AD Decorative arm mount const. (6" decorative upswept arm incl. & acceptable for 90° configurations) WB Wall bracket const. (includes wall bracket & 6" straight arm unless WBAD option is chosen which substitutes decorative upswept arm) O No arm or wall bracket (only order without arm or wall bracket when they are ordered as an accessory)					

1 Factory wired for highest voltage unless specified

**NOTE: All poles to be drilled with #2 pattern** Note: Mounting A and AD acceptable for 90 degree configurations



Spaulding Lighting • 701 Millennium Boulevard • Greenville, SC 29607 • Phone: 864-678-1000  
 Due to our continued efforts to improve our products, product specifications are subject to change without notice.  
 © 2014 SPAULDING LIGHTING, All Rights Reserved • For more information visit our website: [www.spauldinglighting.com](http://www.spauldinglighting.com) • Printed in USA CR1-SPEC 11/15



# ACCESSORIES

## CIMARRON ACCESSORIES

CATALOG #	DESCRIPTION
ARM-CR-6-S-XX <sup>1,2</sup>	6" Rigid Straight Arm
ARM-CRD-6-S-XX <sup>1,2</sup>	6½" Rigid Upswept Arm
ARM-CR-K-TA-XX'	Tenon Arm (single) adjustable
ARM-CR-TK-TA-XX'	Tenon Arm (double 180°) adjustable
ARM-CR-K-S-XX <sup>1,2</sup>	Adjustable Arm
CR1-PVG	Polycarbonate Vandal Guard
CR1-HS-23	Internal House Side Shield (H2 & H3 distributions)
CR1-HS-4	Internal House Side Shield (H4 distribution)
CR-RPA2-XX'	Round Pole Adapter for Straight Arm (2¾ - 3⅛")
CR-RPA3-XX'	Round Pole Adapter for Straight Arm (3¼ - 3¾")
CR-RPA4-XX'	Round Pole Adapter for Straight Arm (3⅞ - 4½")
CR-RPA5-XX'	Round Pole Adapter for Straight Arm (5")
CR-RPA6-XX'	Round Pole Adapter for Straight Arm (6")
CRD-RPA2-XX'	Round Pole Adapter for Upswept Arm (2¾ - 3⅛")
CRD-RPA3-XX'	Round Pole Adapter for Upswept Arm (3¼ - 3¾")
CRD-RPA4-XX'	Round Pole Adapter for Upswept Arm (3⅞ - 4½")
CRD-RPA5-XX'	Round Pole Adapter for Upswept Arm (5")
CRD-RPA6-XX'	Round Pole Adapter for Upswept Arm (6")
WB-CR-XX'	Wall Bracket
TPLB-XX'	Twin Parallel Luminaire Bracket
CR1-EHS-XX'	External 3 Sided Glare Shield (not rotatable)

- 1 Replace **XX** with color choice, eg.: **DB** for Dark Bronze  
 2 When ordering poles, specify Pole Drill Pattern #2

### TENON TOP POLE BRACKET ACCESSORIES (2⅜" OD tenon) (RSS version requires 4" round pole adapter)

CATALOG #	DESCRIPTION
SETA-XX'	Square Pole Tenon Adapter (4 at 90 degrees)
RETA-XX'	Round Pole Tenon Adapter (4 at 90 degrees)
TETA-XX'	Hexagonal Pole Tenon Adapter (3 at 120 degrees)

- 1 Replace **XX** with color choice, eg.: **DB** for Dark Bronze

### PHOTOCONTROL EQUIPMENT

CATALOG #	DESCRIPTION
PTL-1	Photocontrol - Twist-Lock Cell (120V)
PTL-8	Photocontrol - Twist-Lock Cell (120-277V)
PTL-5	Photocontrol - Twist-Lock Cell (480V)
PTL-6	Photocontrol - Twist-Lock Cell (347V)
PSC	Shorting Cap - Twist-Lock

## SPECIFICATIONS

**HOUSING** Architecturally styled, one piece die-cast aluminum housing with nominal .125" wall thickness. Low profile design reduces the overall wind loading while providing a sleek, unabtrusive look which complements most building architectural styles.

**DOOR** Die-cast aluminum door hinges to housing and secures with two captive screws providing four points on contact ensuring a clean lens and optical assembly. Both the flat tempered glass and door are sealed with one-piece silicone gaskets.

**OPTICS** Multiple levels of photometric performance to be achieved via tiered optic offering ranging from fully segmented to hydroformed reflectors. All optical assemblies to field rotate in 90° increments. All distributions to be IES full cutoff classification. House side shielding available as either factory installed options or field installed accessories.

**MOUNT** Two arm designs are available providing maximum design flexibility. The die-cast aluminum arm offers a sleek upswept look while the extruded straight arm includes the housings contoured lines for continuity of style. A wall bracket and pole/tenon accessories are also available allowing easy mounting for virtually any application.

**ELECTRICAL** Energy efficient HID lamps up to 400w. Pulse rated porcelain sockets have spring loaded, nickel plated center contact. All units offer factory or field-installable photocell options and fusing.

**BALLAST** HPF ballast circuit, starting rated at -20 deg F (-40 deg F for HPS). Ballast and other electrical components mounted directly to housing for excellent heat dissipation and long life.

**FINISH** TGIC thermoset polyester powder paint finish applied at nominal 2.5 mil thickness. Prior to painting all luminaires and mounting accessories should be thoroughly cleaned with acid and alkaline cleaners followed by the application of a chromate conversion coating.

**LISTING** UL 1598 listed and CSA certified for outdoor wet location applications.

